



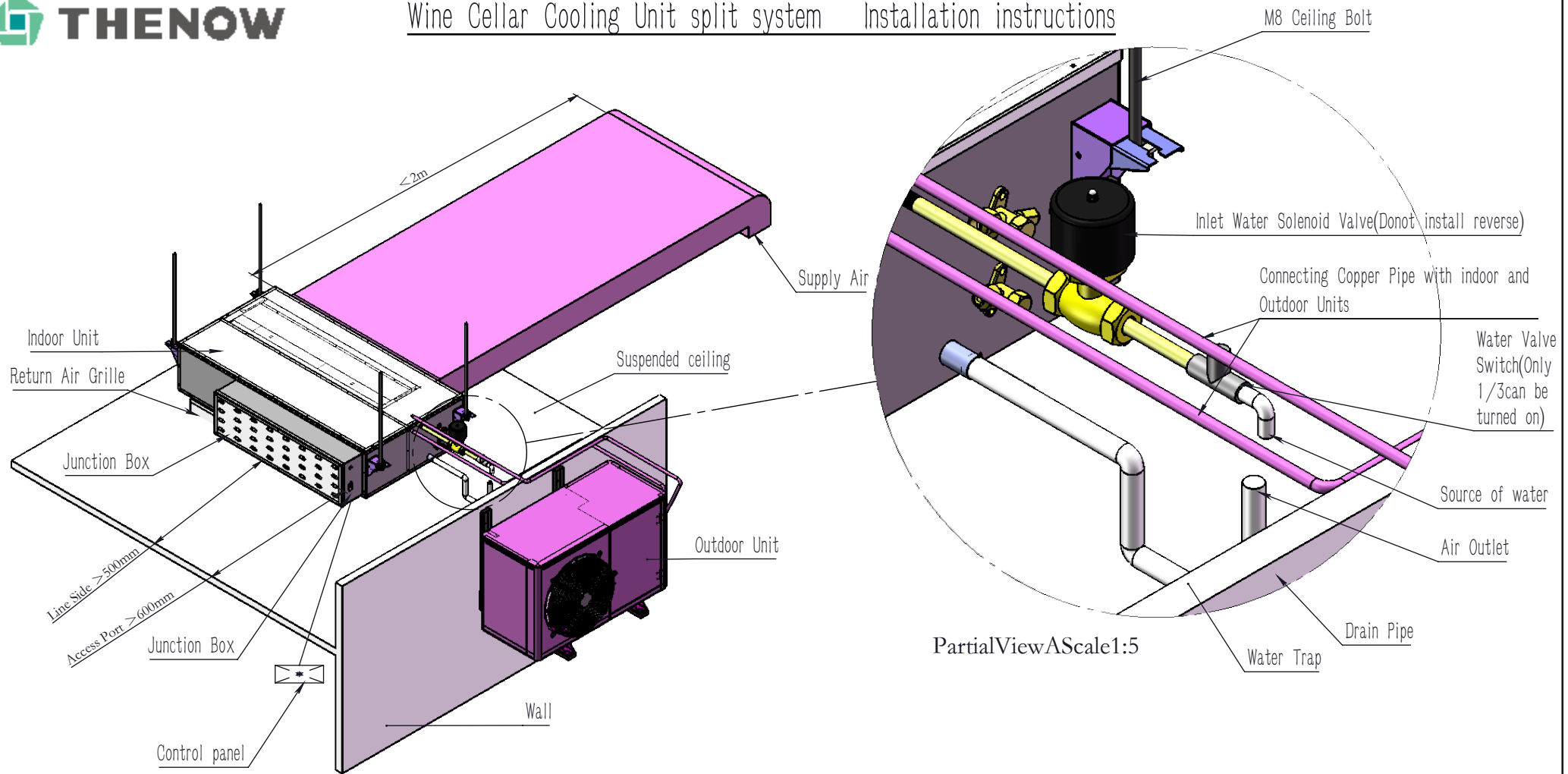
Wine Cellar Cooling Unit Split System Installation Instructions



Shanghai Thenow Purification Technology Co., Ltd

Website: www.thenowair.com

Service Line: +86 400-1878-599



Caution

1. Inspection port on the ceiling must be reserved under the junction box near the piping side, size must be confirmed with manufacturer or dealer beforehand.
2. To make sure the unit in good running, please install the unit strictly according to the above sketch and keep the supply air and return air smoothly.
3. Water inlet solenoid valve must be installed by qualified person(s), and connect the wiring to the reserved port of the junction box.
4. Standard pipe length is 5m, less than 5m no need to add refrigerant. If more than 5m, excess length adding refrigerant according to standard 70g/m.
5. PVC drain pipe is acceptable, the size must be greater than or equal to the condensate water pipe and the shorter the better, keeping at least 2% downward. Meantime, water trap and air outlet port must be installed according to the above sketch.
6. The installation length of the outlet pipe does not exceed 2m, otherwise it will affect the performance of the unit.