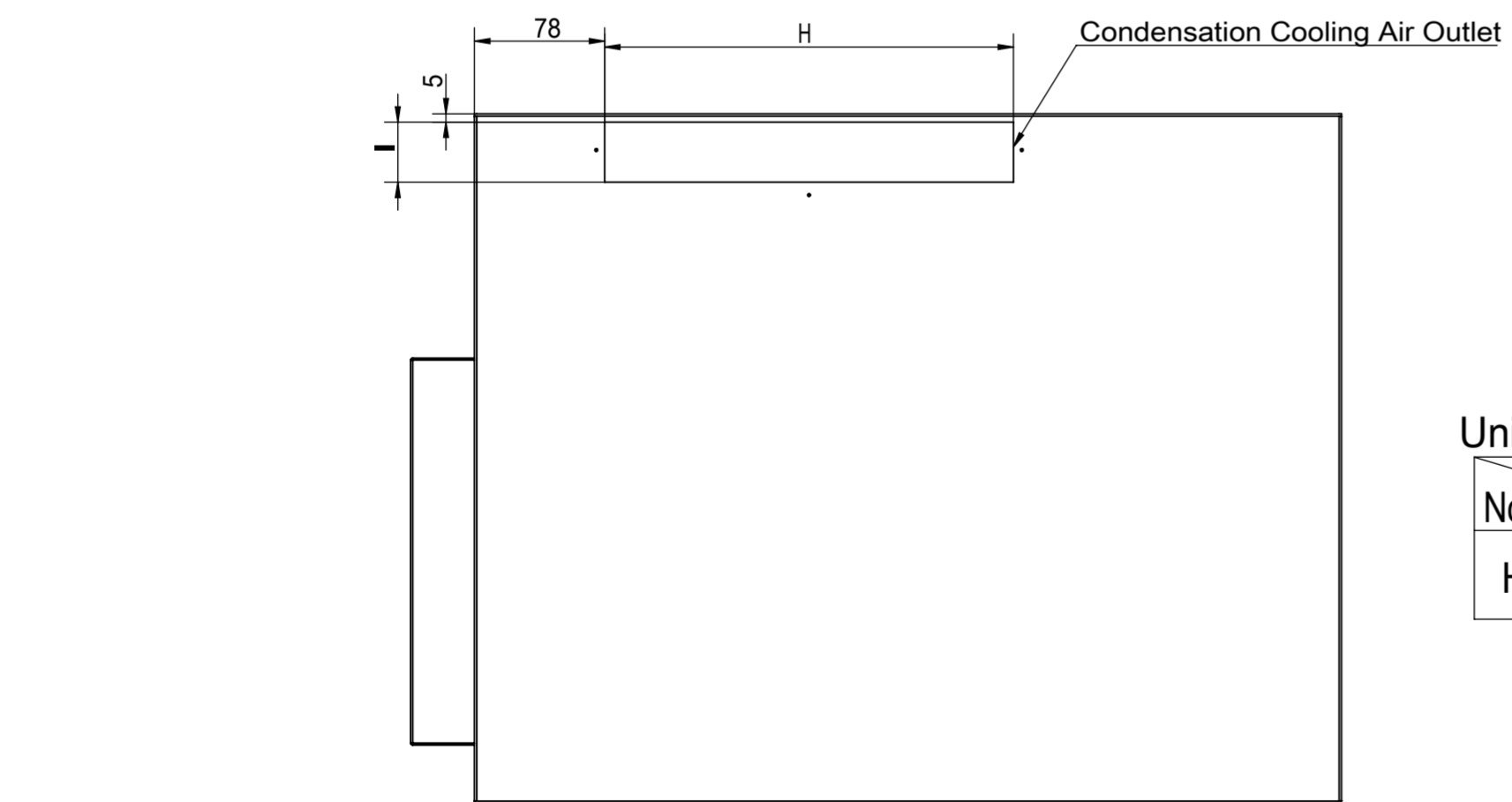
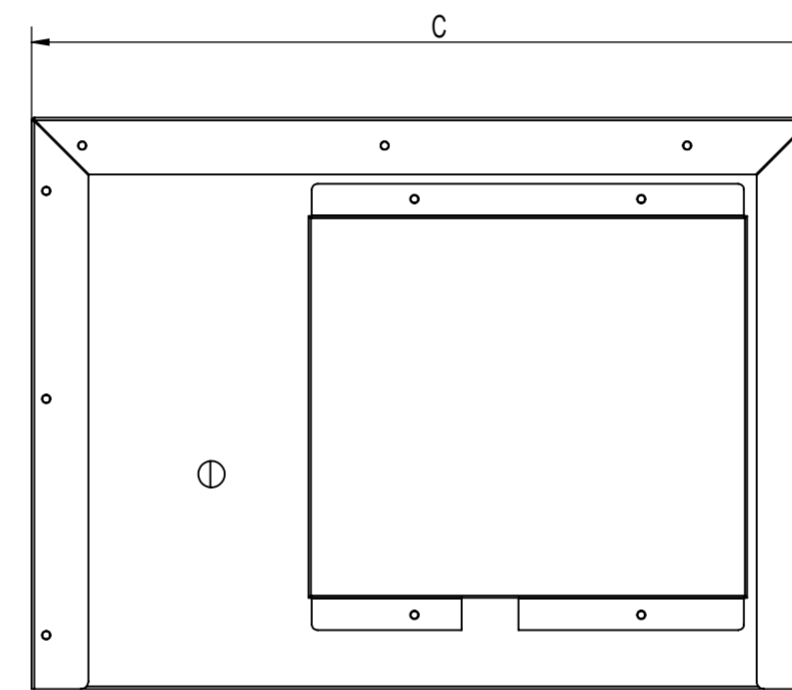
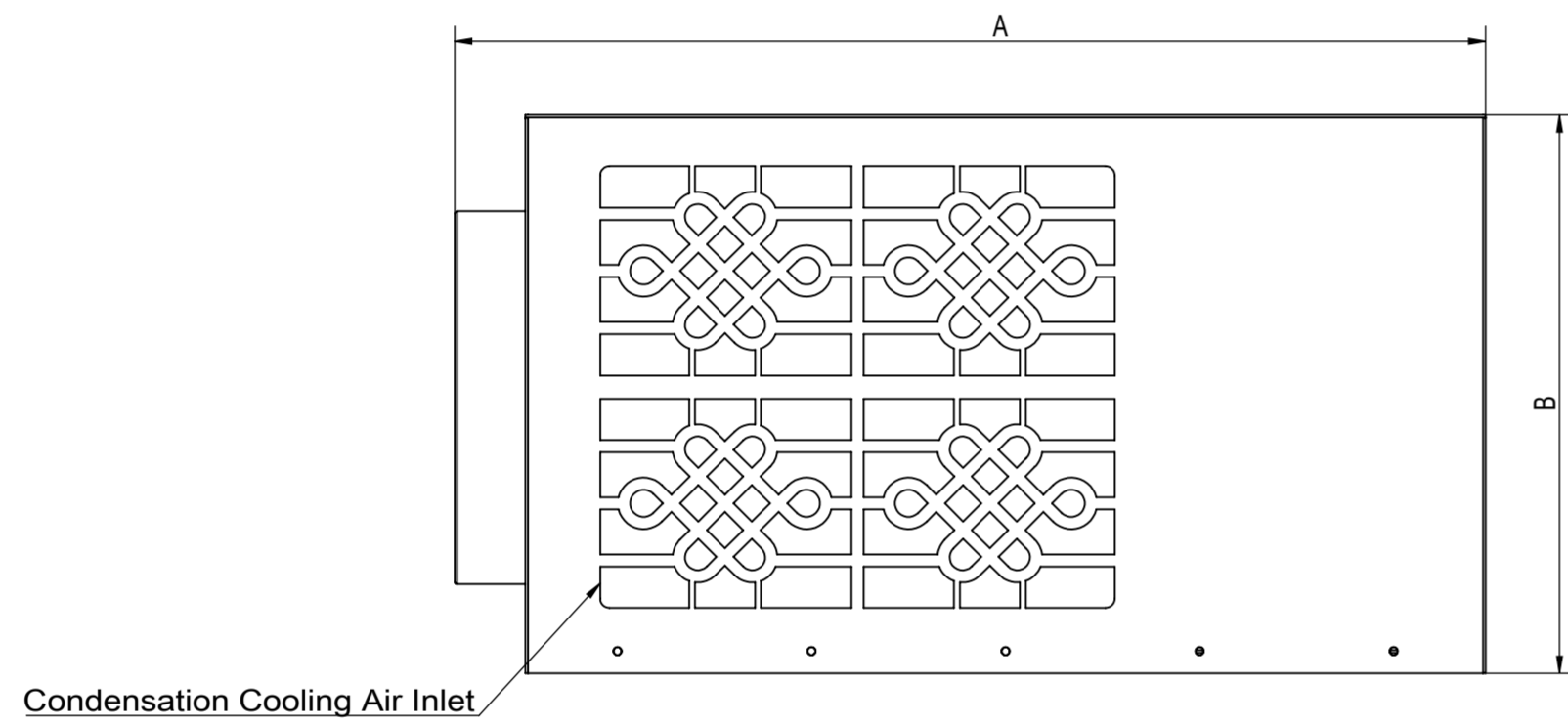
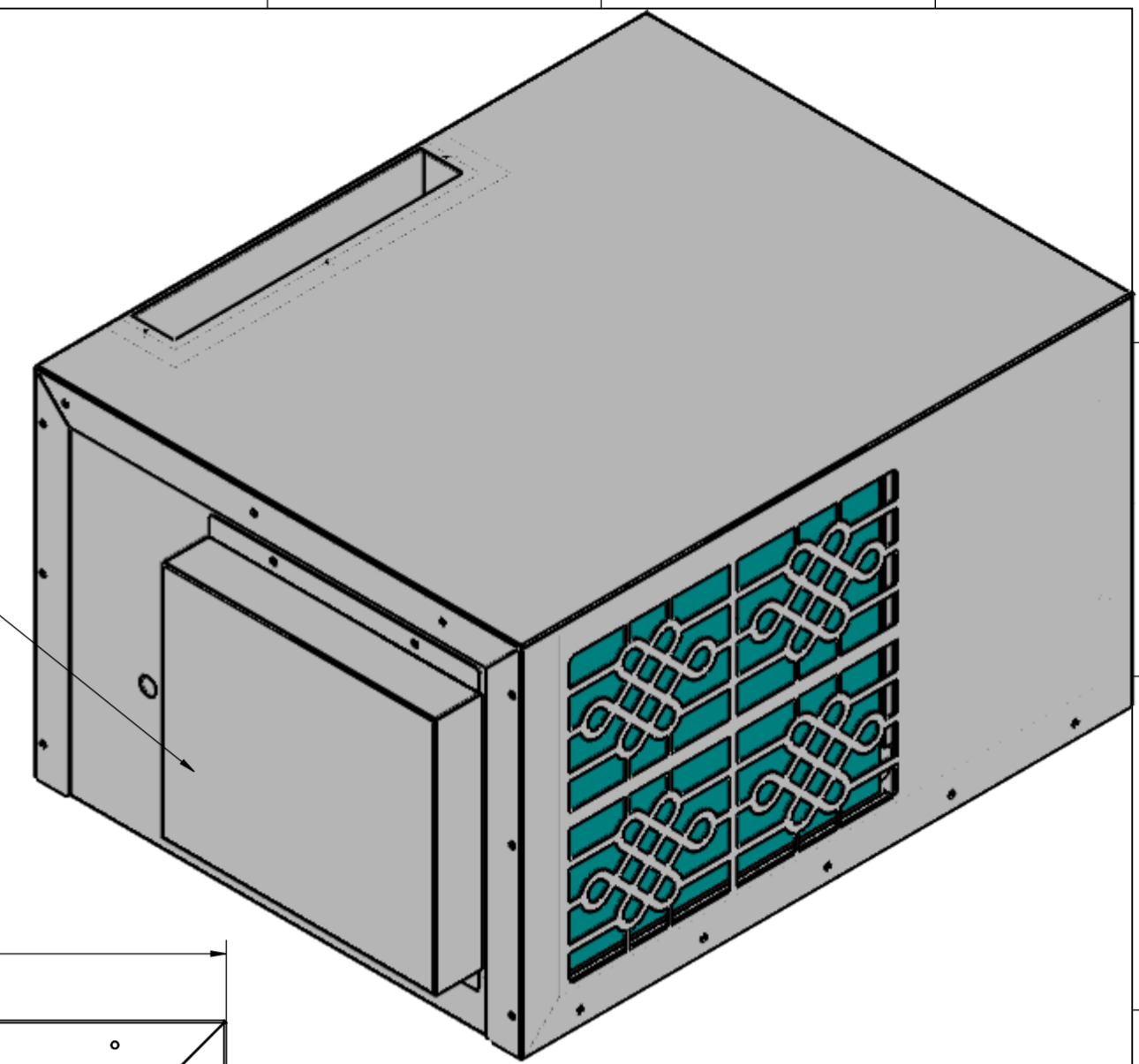


Junction Box



Unit:mm

No	Size	A	B	C	D	E	F	G	H	I
HSN-JC3-Z		560	300	416	150	130	245	40	245	36

Drawing Angle	The first perspective	
No.	Pattern Code	
Item No.	HSN-JC3-Z	
Material	Proportion	1 : 1
Version	A-1	

Project	Sign	Date
Drawing		2020-05-27
Audit		
Approve		
Label	Update Q'ty	Change No.
Change Contents	Sign	Date
Q'ty	1	

Shanghai Thenow Purification Technology Co., Ltd

