



Whole-home Ventilation | Fresh & Clean Air | Multi-layer Purification  
Eliminates VOCs & Odors | Intelligent Control



[www.thenowair.com](http://www.thenowair.com)

Shanghai Thenow Purification Technology Co.,Ltd

Factory Add: No. 59 Linsheng Road, Tinglin Town,  
Jinshan District, Shanghai, China

Email: [sales@thenow.cn](mailto:sales@thenow.cn)  
Tel: 86 21 59177719



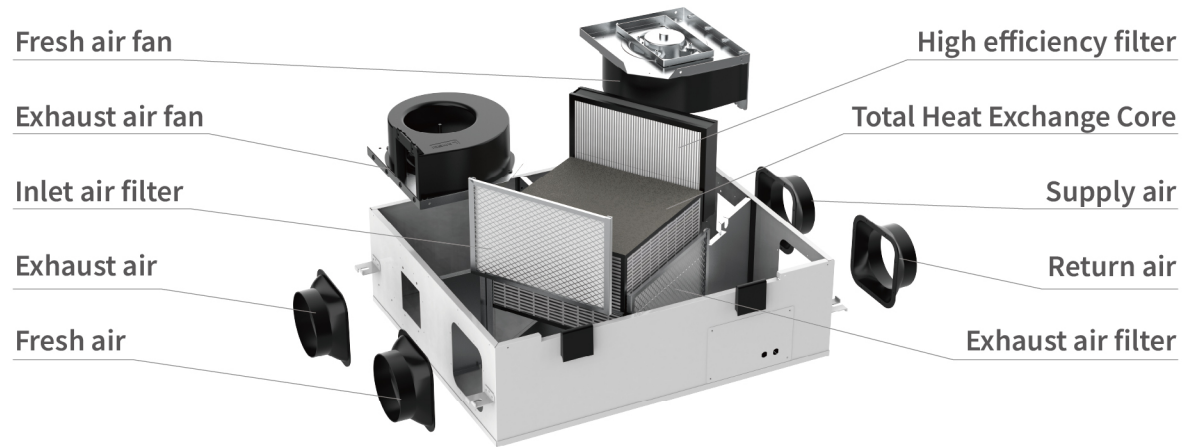
## ENERGY RECOVERY VENTILATOR Diamond Series



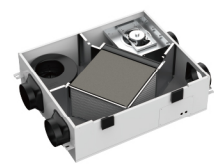
www.thenowair.com.au  
THENOW



Whole-home Ventilation | Fresh & Clean Air | Multi-layer Purification  
Eliminates VOCs & Odors | Intelligent Control



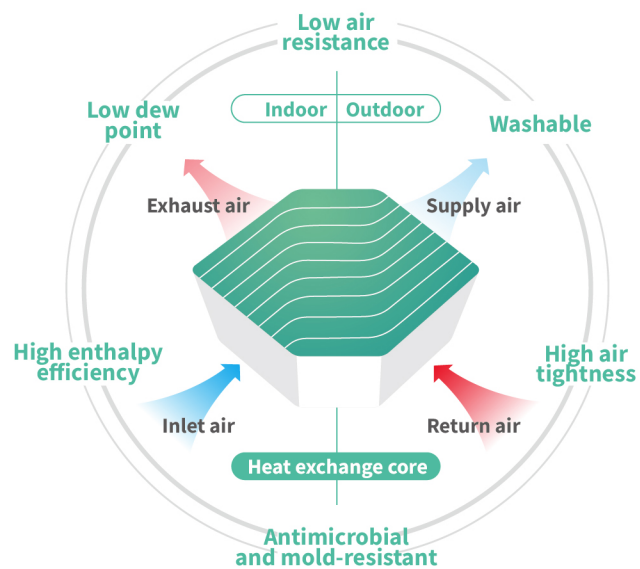
This exterior design is compatible with: TSX150-AG23/TSX250-AG23/TSX350-AG23



Internal View



TSX500-AG23 Appearance



### Total Heat Exchange Core

## DIAMOND SERIES

Adapts to Various Living Spaces  
Covers Airflow Range of 150m<sup>3</sup>/h – 500m<sup>3</sup>/h

- ONE UNIT FOR THE WHOLE HOME**  
Multiple Airflow Options Available | Unlimited by Space
- QUIET & ENERGY-EFFICIENT**  
24/7 Accompaniment | Always Protecting
- MULTI-LAYER PURIFICATION**  
Removes Dust & PM2.5 Haze | Up to 99% Filtration Efficiency
- INTELLIGENT CONTROL**  
Good Air | Visible to You



### Ultra-Quiet Operation — Undisturbed Peace

A perfect alternative to open windows — keep out bad weather and outdoor noise; Unit discreetly installed in dedicated ceiling space for complete noise isolation; Upgraded airflow path for quieter performance.

### Dual Filtration with H13 HEPA

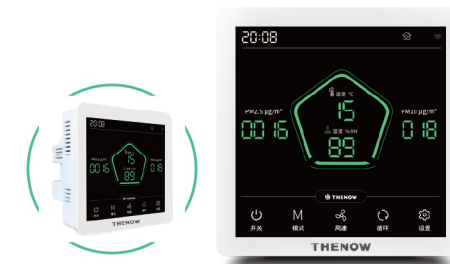
Pre filter + H13 HEPA Filter;  
99.9% Filtration Efficiency for PM2.5 and Larger Particles.

### Advanced Air Duct System + Variable Speed Fan

Optimized airflow path minimizes pressure loss, maximizing fan performance; Balanced airflow design ensures powerful yet smooth air distribution for enhanced comfort; New brushless DC motor paired with a large-diameter fan wheel delivers higher efficiency and lower noise.

### Compact Minimalist Design — Aesthetics to the Core

Thenow's signature minimalist design in white complements any interior style; Compact dimensions allow for more flexible installation.



### High-Precision Sensors — Air Quality at a Glance

High-sensitivity PM2.5 sensor accurately detects indoor pollutants, leaving no particle unnoticed.

### Multiple Control Options — Effortless Command at Your Fingertips

AUTO Mode — Fully Intelligent Adjustment; Switch freely between manual and automatic modes; Wi-Fi Connected — Remote Control via Mobile Device; RS-485 Open Interface — Compatible with Various Smart Home Systems.

### Technical data

Model	Power Supply	Rated Power(W)			Air Flow(m <sup>3</sup> /h)			Enthalpy Efficiency(%)		Outlet Total Pressure(Pa)			Noise dB(A)			Weight (kg)	Size (LxWxT mm)
		H	M	L	H	M	L	Heating	Cooling	H	M	L	H	M	L		
TSX150-AG23	220V/50Hz	66	38	27	150	105	75	72	56	110	80	70	31	25	22	25	917*680*230
TSX250-AG23	220V/50Hz	104	60	38	250	175	125	68	56	120	90	80	36	31	28	26	917*680*230
TSX350-AG23	220V/50Hz	150	79	48	350	250	175	65	57	130	90	80	38	34	31	32	977*720*250
TSX500-AG23	220V/50Hz	240	120	70	500	350	250	68	55	115	105	95	43	35	30	59	1226*993*264

\*The above datas are all from testing agencies, and our company provides design technical parameters. The structural images displayed are functional diagrams and are not necessarily the exact structures, the final data are subjects to actual product.



Fresh Odor-Free Air



Blocks Outdoor Bacteria Effectively



Reduces CO<sub>2</sub> Levels for Fresh Unstuffy Air



Effectively Eliminates Formaldehyde & Other VOCs



Effectively Filters PM2.5 & Other Allergens